

Kısa Strok Pnömatik Silindir

Short Stroke Pneumatic Cylinder

Silindirler / Cylinders

MAG®



KNS - . . . - . . . - . . . - . . . - . . . - . . .

	Standart / Standard
M	Manyetik / Magnetic

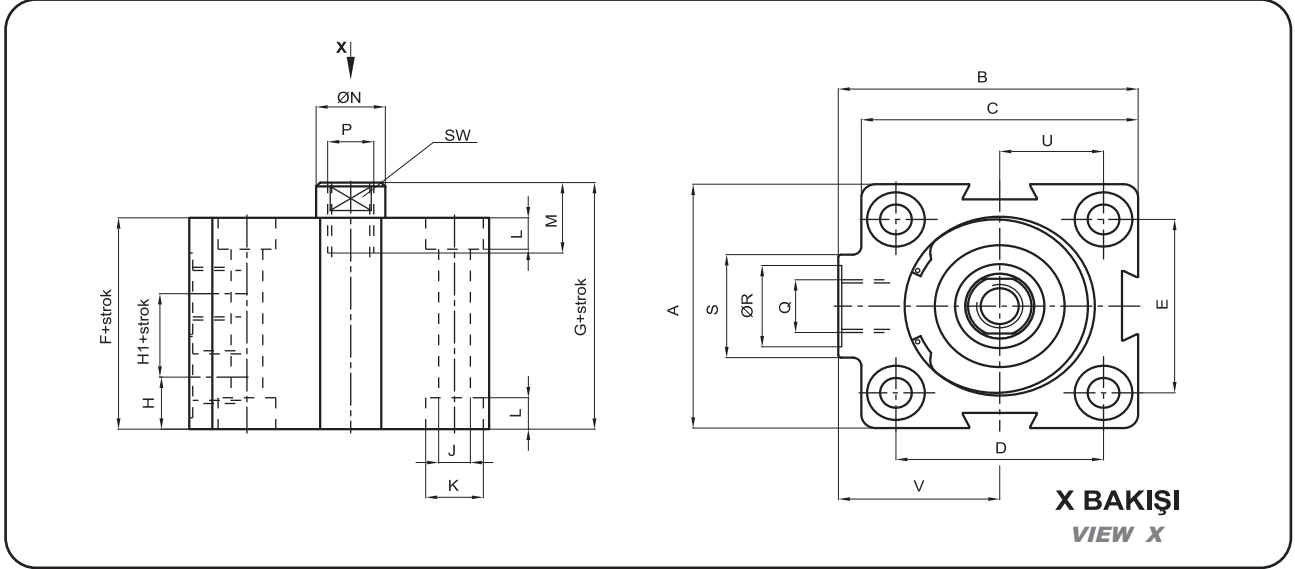
	Çift Etkili / Double Acting
T	Tek Etkili / Single Acting

Piston Çapı / Piston Diameter
32, 40, 50, 63, 80, 100

Strok / Stroke
10, 15, 25, 40, 50

Ölçüler / Dimensions

TEKNİK ÖZELLİKLER / TECHNICAL SPECIFICATIONS	
Silindir Gövdesi / Cylinder Tube	Alüminyum / Aluminum
Silindir Kapakları / Cylinder End Caps	Alüminyum / Aluminum
Silindir Mili / Piston Rod	CK 45 Krom Kaplı / CK 45 Chrome Plated
Boğaz Keçesi / Rod Seal	Poliüretan / Polyurethane
Piston Keçesi / Piston Seal	Poliüretan / Polyurethane
Max. Çalışma Basıncı / Max Operating Pressure	10 BAR
Çalışma Sıcaklığı / Temperature Range	-20°C, +80°C



MAG	A	B	C	D	E	F	G	H	H1	KNS Ağırlık (kg) KNS Weight (kg)		KNSM Ağırlık (kg) KNSM Weight (kg)	
										Strokda=0'da At 0 Stroke	Her 10 mm. Strok için Weight Per 10 mm Stroke length	Strokda=0'da At 0 Stroke	Her 10 mm. Strok için Weight Per 10 mm Stroke length
KNS - 32	45	53.5	48	36	32	39	46	9	18	0.192	0.041	0.196	0.041
KNS - 40	55	61	55	40	40	40	48	9.8	17.7	0.284	0.059	0.291	0.059
KNS - 50	65	72	65	50	50	45	53.2	12	19.5	0.452	0.078	0.461	0.078
KNS - 63	80	88	80	62	62	46	54	12.5	20	0.659	0.104	0.676	0.104
KNS - 80	94	104	94	73	73	55	64	16	23	1.160	0.136	1.187	0.136
KNS - 100	117	125.5	117	90,5	90,5	60	70	15.9	28.2	1.822	0.181	1.863	0.181

MAG	J	K	L	M	N	P	Q	R	S	U	V	SW
KNS - 32	5.5	10	5.8	13	12	M8	R 1/8"	15	18	18	29.5	10
KNS - 40	5.5	10	6.8	13	16	M8	R 1/8"	15	19	20	33.5	13
KNS - 50	6.5	10	6.8	15	20	M10	R 1/8"	15	20	25	39.5	17
KNS - 63	8.5	14	9	15	20	M10	R 1/8"	15	23	31	48	17
KNS - 80	8.5	14	9	20	25	M12	R 1/4"	20	23	36.5	57	22
KNS - 100	11	18	11	20	25	M12	R 1/4"	20	23	45.25	58.5	22